

TDA - Temperature Transmitter



Benefits and Features

- Measuring Range -58 to 250°F
- Scalable Output Transmitter
- Large Easy-to-Read LED Display
- All Stainless Steel Construction
- Rugged and Reliable
- Remote Sensor Available

General Description

The TDA series digital temperature sensor incorporates the latest sensing technology into a very versatile, simple to operate package. Output span, dampening and lockout code are programmable from a keypad on the controller. The heart of the sensor is a semiconductor sensing element which sends a digital temperature signal to the processor in 0.5°C increments. The processor displays temperature and provides a 4-20 mA output proportional to temperature. The digital sensor ensures a long life with virtually no calibration drift. These features along with a robust stainless steel housing makes the TDA ideal for OEM or tough industrial applications.

The TDA is available with the controller mounted directly onto the sensing probe or separated for mounting the probe remotely from the controller. Various probe lengths are available. The remote probe version has a smooth shank (no fitting) allowing the user to adjust the probe insertion depth by installing with a compression fitting sold as an accessory item.

Specifications

Switching Range: Per ordering code

Display Type: 3-digit red LED

Display Resolution: ±0.5° between -10°F and +100°C or °F
±1° below -10 and above 100°C or °F

Accuracy: 14 to 185°F: ±0.9°F/ 14 to -58°F: ±3.6°F
185°F to 250°F: ±3.6°F

Max. Pressure: 1150 PSIG

Max. Process Temp: 250°F

Max. Ambient Temp: 120°F

Housing and Probe

Material: 316L Stainless Steel

Cable Material for Remote Probe: Teflon 8ft. std.

Electrical Data

Power: 24 VDC ±20% @ 4-20 mA

Output: 4-20 mA, 3-wire into 500 ohm Max. loop load

Sample Rate: 0.5 Sec./sample

Dampening: Programmable averaging
over 2, 4, 8, 16, 32, or 64 samples

Electrical Connection: 4-Pin Micro-DC male plug or
PVC jacketed cable

Electrical Protection: NEMA 4/IP 65

Programmable Features

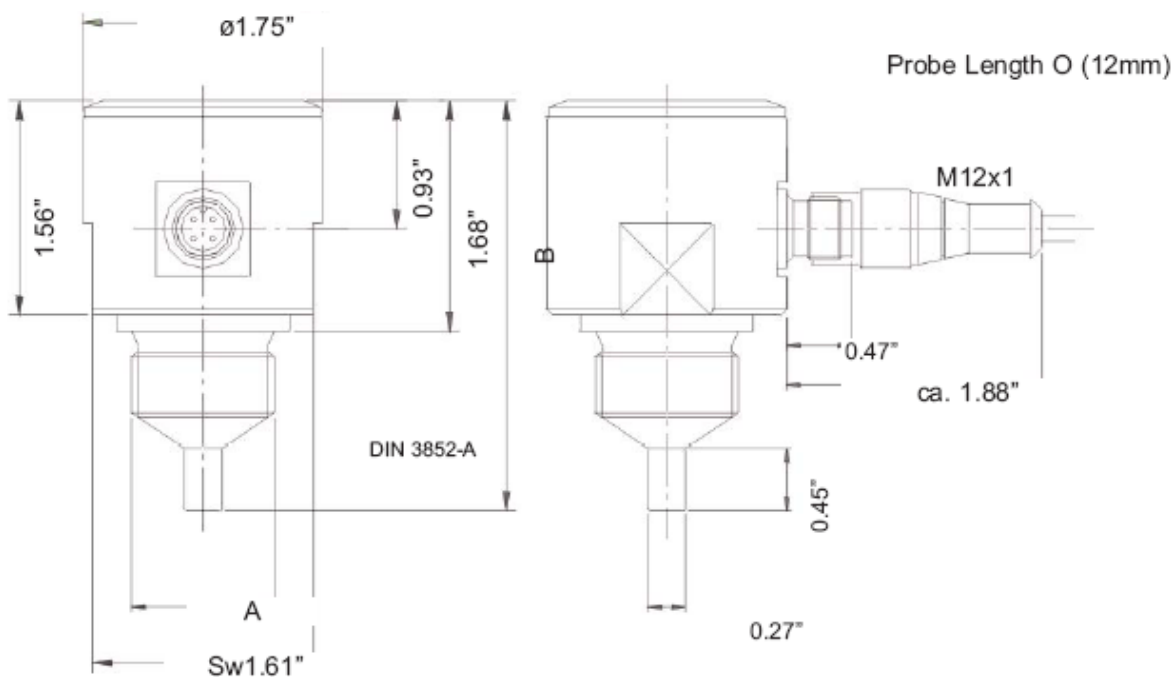
- Lockout Code
- Transmitter Span
- Dampening

TDA - Temperature Transmitter

Ordering Information

TDA Series Ordering Codes	
TDA	= Digital Temperature Switch
15	= 4-20 mA Output Type
N4	= 1/2" NPT Process Connection
N5	= 3/4" NPT
R4	= 1/2" BSP
R5	= 3/4" BSP
D6	= Remote Probe Smooth Shank
F2	= 0 to 250°F Measuring Range
F3	= -58 to 250°F (Available with Process Connection D6 Only)
H2	= -20 to 120°C
H3	= -50 to 125°C (Available with Process Connection D6 Only)
0	= 12mm/1/2" (Not Available with Process Connection D6) Probe Length
1	= 100 mm/4"
2	= 185mm/7.25" (Not Available with Process Connection D6)
L3M	= Micro-DC plug, 4-Pin male
L3P	= 3 Ft. PVC cable
L3S	= Custom length PVC cable
EC	= Extended Cable Length on Process Connection D6 Options
(*Specify desired Cable Length When Ordering)	
TDA - 15 - N4 - F2 - 1 - L3M Example TDA ordering code	
Accessories	
Part# 807.037 - Mating 4-Pin Micro-DC plug with 6 ft. cable.	
Part# TD-FTFHG1/4SS - 6mm 316 SS Bore Through Compression Fitting x 1/4" NPT for Remote Probe Installation.	
Part# TD-FTFHG1/2SS - 6mm 316 SS Bore Through Compression Fitting x 1/2" NPT for Remote Probe Installation.	

Dimensions



TDA - Temperature Transmitter

↔ Dimensions

