

SV – Variable Area Flowmeters & Switches



Benefits and Features

- $\pm 4\%$ Full Scale Accuracy
- Small, Compact Design, Low Weight
- Direct Reading Scales for Water and Air
- Large and Small Measuring Ranges from
- Vertical Connections for Easy Installation
- All Media Contacted Parts *Available in Brass or Stainless Steel Construction

General Description

SV flowmeters and switches work on the well known float system, but without the use of the open conical measuring tube. Instead the instruments use a cylindrical control tube with a conical groove along its axis. The upper edge of the float indicates the flow on the measuring glass, which is calibrated in GPM or SCFM.

Specifications

- Measuring Switching Range:
 - 0.075-0.35 to 2.5-40 GPM water
 - 0.25-1.25 to 10-150 SCFM air
- Fitting: 1/4" - 1-1/4" NPT
- Material: brass, SS
- Max. pressure: 145 PSIG
- Max. temperature: 160°F/240°F
- Accuracy: $\pm 4\%$ FS
- Option: reed contact

SV – Variable Area Flowmeters & Switches

Ordering Information

Order Numbers for Standard Types

Range water GPM	Standard conn. NPT	Press. drop max. PSI	Float Material		Flowmeter waterscale standard-connection		Flowmeter 1 N/O contact water, stand.-conn.		Flowmeter 2 N/O contacts water, stand.-conn.	
			Brass	SS	Brass	SS	Brass	SS	Brass	SS
0.075– 0.35	1/4"	0.58	PP	PVDF	SV-5101	SV-5201	SV-6101	SV-6201	SV-7101	SV-7201
0.2 – 0.7	1/4"	0.87	Brass	SS	SV-5102	SV-5202	SV-6102	SV-6202	SV-7102	SV-7202
0.1 – 0.7	1/4"	0.58	PP	PVDF	SV-5103	SV-5203	SV-6103	SV-6203	SV-7103	SV-7203
0.2 – 1.2	1/4"	0.58	PP	PVDF	SV-5104	SV-5204	SV-6104	SV-6204	SV-7104	SV-7204
0.2 – 1.4	1/4"	1.31	Brass	SS	SV-5105	SV-5205	SV-6105	SV-6205	SV-7105	SV-7205
0.5 – 2.7	1/2"	0.58	PVDF	PVDF	SV-5106	SV-5206	SV-6106	SV-6206	SV-7106	SV-7206
1 - 4.5	1/2"	1.02	Brass	SS	SV-5107	SV-5207	SV-6107	SV-6207	SV-7107	SV-7207
0.5 – 6	3/4"	0.87	PP	PVDF	SV-5108	SV-5208	SV-6108	SV-6208	SV-7108	SV-7208
0.5 – 6.6	3/4"	1.16	PVDF	PVDF	SV-5109	SV-5209	SV-6109	SV-6209	SV-7109	SV-7209
1 – 11	3/4"	1.45	Brass	SS	SV-5110	SV-5210	SV-6110	SV-6210	SV-7110	SV-7210
0.5 – 12	3/4"	2.03	Brass	SS	SV-5111	SV-5211	SV-6111	SV-6211	SV-7111	SV-7211
2.5 – 20	1"	4.35	Brass	SS	SV-5112	SV-5212	SV-6112	SV-6212	SV-7112	SV-7212
2.5 – 40	1 1/4"	5.80	PP	PVDF	SV-5113	SV-5213	SV-6113	SV-6213	SV-7113	SV-7213

Options

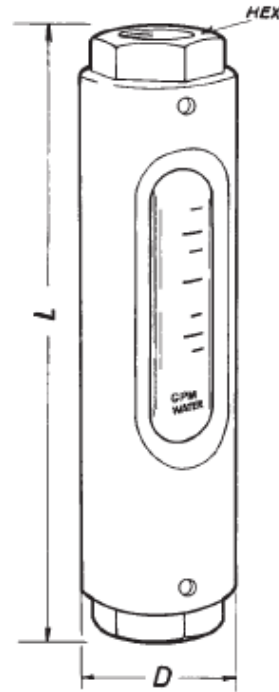
(add suffix to Order Number)

Range air SCFM Suffix "L"	Special conn. NPT Suffix "B"	Special contact Suffix "U"
0.25– 1.25	1/2"	Contact SPDT
1.0 – 2.6	1/2"	
0.5 – 3.0	1/2"	
1 – 4.5	1/2"	
1.5 – 6	1/2"	
2 – 10	3/4"	
2 – 18	3/4"	
1 – 20	1"	
1 – 27.5	1"	
2.5 – 40	1"	
2.5 – 55	1"	
10 – 100	–	
10 – 150	–	

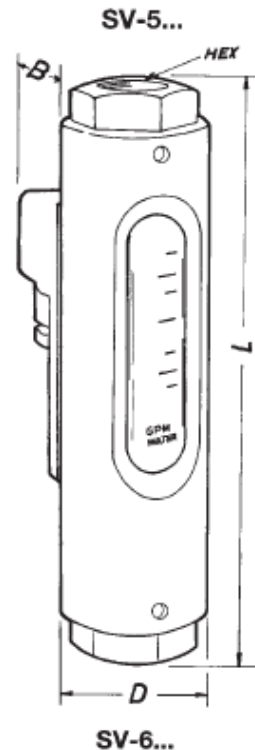
SV – Variable Area Flowmeters & Switches

Ordering Information

FLOAT TYPE FLOWMETER							
Order Number (Brass)	Order Number (SS)	HEX	D	Dimensions L		B	Weight lbs.
				Standard	Suffix "B"		
SV-5101	SV-5201	1.26"	1.69"	6.34"	6.50"	-	1.65
SV-5102	SV-5202	1.26"	1.69"	6.34"	6.50"	-	1.65
SV-5103	SV-5203	1.26"	1.69"	6.34"	6.50"	-	1.65
SV-5104	SV-5204	1.26"	1.69"	6.34"	6.50"	-	1.65
SV-5105	SV-5205	1.26"	1.69"	6.34"	6.50"	-	1.65
SV-5106	SV-5206	1.26"	1.69"	6.34"	6.50"	-	1.65
SV-5107	SV-5207	1.26"	1.69"	6.34"	6.50"	-	1.65
SV-5108	SV-5208	1.61"	1.89"	6.50"	6.93"	-	2.20
SV-5109	SV-5209	1.61"	1.89"	6.50"	6.93"	-	2.20
SV-5110	SV-5210	1.61"	1.89"	6.50"	6.93"	-	2.20
SV-5111	SV-5211	1.61"	1.89"	6.50"	6.93"	-	2.20
SV-5112	SV-5212	1.61"	1.89"	8.03"	-	-	2.65
SV-5113	SV-5213	1.81"	2.17"	8.74"	-	-	3.31



FLOAT TYPE FLOWMETER AND SWITCH WITH 1 N/O CONTACT							
Order Number (Brass)	Order Number (SS)	HEX	D	Dimensions L		B	Weight lbs.
				Standard	Suffix "B"		
SV-6101	SV-6201	1.26"	1.69"	6.34"	6.50"	2.09"	2.20
SV-6102	SV-6202	1.26"	1.69"	6.34"	6.50"	2.09"	2.20
SV-6103	SV-6203	1.26"	1.69"	6.34"	6.50"	2.09"	2.20
SV-6104	SV-6204	1.26"	1.69"	6.34"	6.50"	2.09"	2.20
SV-6105	SV-6205	1.26"	1.69"	6.34"	6.50"	2.09"	2.20
SV-6106	SV-6206	1.26"	1.69"	6.50"	6.93"	2.09"	2.20
SV-6107	SV-6207	1.26"	1.69"	6.50"	6.93"	2.09"	2.20
SV-6108	SV-6208	1.61"	1.89"	6.50"	6.93"	2.09"	2.76
SV-6109	SV-6209	1.61"	1.89"	6.50"	6.93"	2.09"	2.76
SV-6110	SV-6210	1.61"	1.89"	6.50"	6.93"	2.09"	2.76
SV-6111	SV-6211	1.61"	1.89"	6.50"	6.93"	2.09"	2.76
SV-6112	SV-6212	1.61"	1.89"	8.03"	-	2.09"	3.20
SV-6113	SV-6213	1.81"	2.17"	8.74"	-	2.09"	3.86

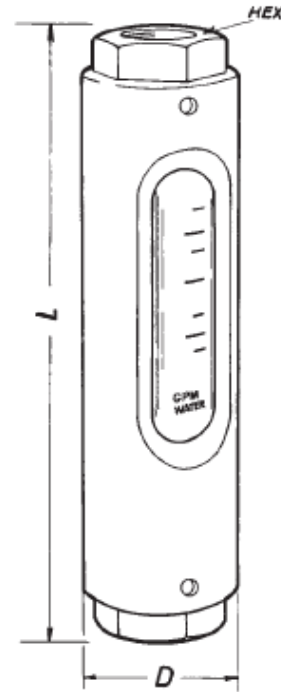


Subject to change without prior notice.

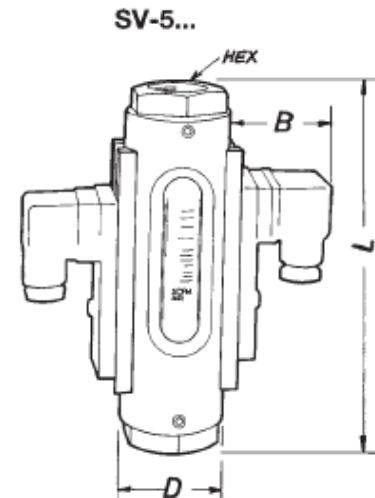
SV – Variable Area Flowmeters & Switches

Ordering Information

FLOAT TYPE FLOWMETER							
Order Number (Brass)	Order Number (SS)	HEX	D	Dimensions L		B	Weight lbs.
				Standard	Suffix "B"		
SV-5101	SV-5201	1.26"	1.69"	6.34"	6.50"	-	1.65
SV-5102	SV-5202	1.26"	1.69"	6.34"	6.50"	-	1.65
SV-5103	SV-5203	1.26"	1.69"	6.34"	6.50"	-	1.65
SV-5104	SV-5204	1.26"	1.69"	6.34"	6.50"	-	1.65
SV-5105	SV-5205	1.26"	1.69"	6.34"	6.50"	-	1.65
SV-5106	SV-5206	1.26"	1.69"	6.34"	6.50"	-	1.65
SV-5107	SV-5207	1.26"	1.69"	6.34"	6.50"	-	1.65
SV-5108	SV-5208	1.61"	1.89"	6.50"	6.93"	-	2.20
SV-5109	SV-5209	1.61"	1.89"	6.50"	6.93"	-	2.20
SV-5110	SV-5210	1.61"	1.89"	6.50"	6.93"	-	2.20
SV-5111	SV-5211	1.61"	1.89"	6.50"	6.93"	-	2.20
SV-5112	SV-5212	1.61"	1.89"	8.03"	-	-	2.65
SV-5113	SV-5213	1.81"	2.17"	8.74"	-	-	3.31



FLOAT TYPE FLOWMETERS AND SWITCH WITH 2 N/O CONTACTS							
Order Number (Brass)	Order Number (SS)	HEX	D	Dimensions L		B	Weight lbs.
				Standard	Suffix "B"		
SV-7101	SV-7201	1.26"	1.69"	6.34"	6.50"	2.09"	2.76
SV-7102	SV-7202	1.26"	1.69"	6.34"	6.50"	2.09"	2.76
SV-7103	SV-7203	1.26"	1.69"	6.34"	6.50"	2.09"	2.76
SV-7104	SV-7204	1.26"	1.69"	6.34"	6.50"	2.09"	2.76
SV-7105	SV-7205	1.26"	1.69"	6.34"	6.50"	2.09"	2.76
SV-7106	SV-7206	1.26"	1.69"	6.50"	6.93"	2.09"	2.76
SV-7107	SV-7207	1.26"	1.69"	6.50"	6.93"	2.09"	3.31
SV-7108	SV-7208	1.61"	1.89"	6.50"	6.93"	2.09"	3.31
SV-7109	SV-7209	1.61"	1.89"	6.50"	6.93"	2.09"	3.31
SV-7110	SV-7210	1.61"	1.89"	6.50"	6.93"	2.09"	3.31
SV-7111	SV-7211	1.61"	1.89"	6.50"	6.93"	2.09"	3.31
SV-7112	SV-7212	1.61"	1.89"	8.03"	-	2.09"	3.75
SV-7113	SV-7213	1.81"	2.17"	8.74"	-	2.09"	4.41



SV-7...