

## KAL-K Flow Switch



### Benefits and Features

- Revolutionary Microprocessor-Based Switch-Point Stabilization
- NPT and 3-A Compliant Sanitary Fittings
- Compact Design
- No Moving Parts
- Extremely Low Pressure Loss
- Easy to Operate
- Insensitive to Dirt

### General Description

The KAL-K thermal flow switch utilizes advanced microprocessor based technology to provide a stable setpoint regardless of changes in temperature. The KAL-K's solid-state switches can be configured as NPN or PNP and normally-open or normally closed. Based on the calorimetric principle, the KAL-K can continuously monitor the flow of both viscous and non-viscous media. Unlike other designs, the absence of protrusions prevents contaminant from building up on the probe tip. This improves the KAL's performance in two ways:

1. The KAL's sensing stability is increased because contaminant cannot thermally isolate the probe from the liquid.
2. System down-time associated with probe cleaning is dramatically decreased.

### Specifications

<b>Switching Range:</b>	0.05 - 2 m/s	<b>Power Requirements</b>	
<b>Media:</b>	water-based liquids 60 cSt Max.	<b>Supply Voltage:</b>	24 VDC $\pm$ 10%
<b>Response Time</b>		<b>Optional:</b>	110 VAC
<b>Typical:</b>	5.6 seconds	<b>Current Draw:</b>	300 mA max.
<b>Optional F:</b>	1.2 seconds	<b>Switch Characteristics</b>	
<b>Fittings</b>		<b>Adjustment:</b>	by Potentiometer
<b>Standard:</b>	1/2" or 3/4" NPT	<b>Status Indicator:</b>	Bi-colored LED
<b>Sanitary:</b>	1 1/2" Tri-Clamp®	<b>24 VDC Units:</b>	
<b>Explosion Proof:</b>	1/2" or 3/4" NPT	<b>Type:</b>	N/O PNP or NPN open collector
<b>Flow Trend Indicator:</b>	8 Red LEDs	<b>Switch Rating</b>	
<b>Temperature Rating</b>		<b>DC only:</b>	400 mA @ 24V
<b>Operating:</b>	32°F to 250°F	<b>110 VAC Units:</b>	
<b>CIP:</b>	280°F Max.	<b>Type:</b>	N/O dry contact
<b>Maximum Pressure:</b>	1450 PSIG	<b>Switch Rating</b>	
<b>Wetted Parts</b>		<b>AC only:</b>	5A @ 240 V
<b>Standard:</b>	304 SS	<b>DC only:</b>	0.2 A @ 110V
<b>Sanitary:</b>	316-TI SS		
<b>Explosion Proof:</b>	316-TI SS		
<b>Housing</b>			
<b>Standard:</b>	NEMA 4 (Nylon®)		
<b>Sanitary:</b>	NEMA 4 (Nylon®)		
<b>Optional:</b>	Explosion Proof (Al) Class I & II, Groups C & D		

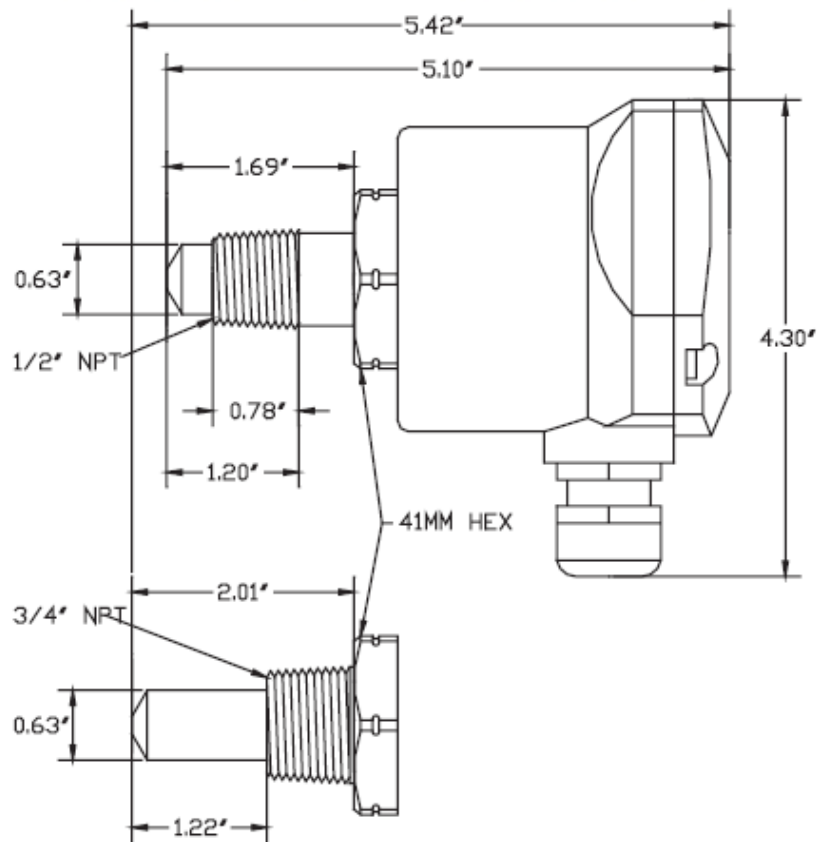
## KAL-K Flow Switch

### Ordering Information

#### KAL-K Ordering Information

Model	Wetted Parts	1/2" Model	3/4" Model
Standard	304 SS	KAL-4215	-
Standard 316-TI SS	316-TI SS	KAL-4315	KAL-4320
Explosion Proof	316-TI SS	KAL-4315	KAL-4320-EX
Sanitary	316-TI SS	KAL-4340-S	
Plug Connector with 6 ft cable (not available in explosion proof)		Suffix: "M12"	
N/C Switch Logic		Suffix: "K"	
110 VAC version with dry contact		Suffix: "P03R"	
Fast Response Time		Suffix: "F"	

### Dimensions



# KAL-K Flow Switch

## ↩ Dimensions

