

DRG - Paddle Flow Sensor



Benefits and Features

- Economically Priced
- OEM Flow Sensor
- Five Material Combinations
- Flow Ranges 0.15-3 GPM to 3-37 GPM
- Frequency, 4-20 mA Transmitters or Compact Electronics with PNP Switch
- All Plastic Versions Available

General Description

The DRG has the winning combination of compact size, low cost and versatility which makes it the perfect product for OEM flow measuring applications. The DRG series is a paddle flow sensor which uses a Hall effect sensor to detect the passing of permanent magnets imbedded in the rotating paddle. The DRG can be supplied with a frequency output, 4-20 mA output or a versatile compact electronics package providing an LED display, 4-20 mA output or programmable setpoint switches. The DRG series is offered in five material combinations. An all plastic version is available which makes the DRG series suitable for use with high purity water and many types of aggressive chemicals.

Specifications

Accuracy: $\pm 3\%$ of full scale

Output:

Frequency: PNP, 25 mA max. 14-28 VDC

Analog: 4-20 mA, 2-wire or 3-wire, 24 VDC power

Elec. Protection: NEMA 4X

Elec. Connection: Micro-DC plug, 4-pin male or DIN 43650 Plug

Sensor Pressure Drop: 14.5 PSI @ 100% rated flow

Compact Electronics (optional)

Programmable Functions: Lockout code, dampening, transmitter span, switch setpoint

Output Types: 4-20 mA, 3-wire flow transmitter and PNP flow switch or 2 PNP switches depending on model code

Switch Type: Adjustable, PNP open collector, 300 mA Max. short circuit protected, programmable as a flow switch or frequency transmitter

Display: LED 3-digit

Electrical Protection: NEMA 4X

Electrical Connection: Micro-DC plug, 5-pin male

DRG - Paddle Flow Sensor

Ordering Information

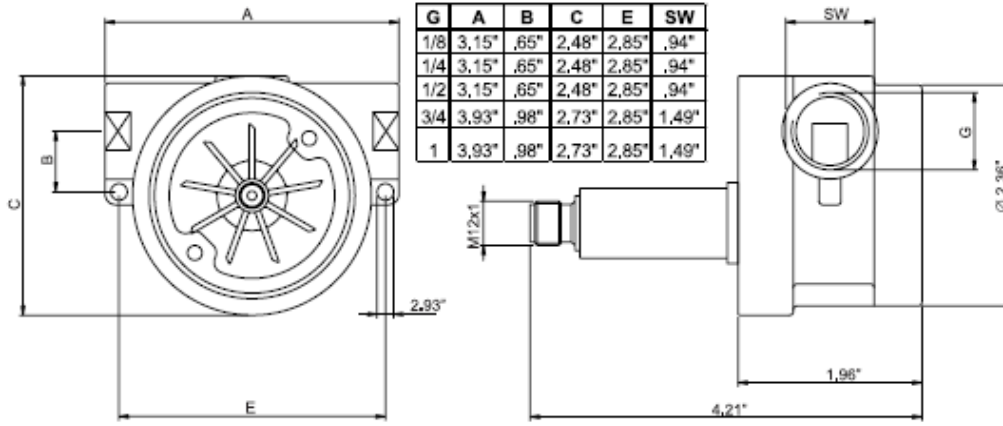
Material Combinations					
	DRG-11	DRG-12	DRG-14	DRG-15	DRG-18
Housing	Bronze	Bronze	316L SS	316L SS	Polypropylene
Housing Cover	Acrylic	Bronze	Acrylic	316L SS	Polypropylene
O-ring	Buna-N	Buna-N	Viton	Viton	Buna-N
Paddle	Teflon	Teflon	Teflon	Teflon	Teflon
Axle	Ceramic	Ceramic	Ceramic	Ceramic	Ceramic
Axle Support	Teflon	Teflon	Teflon	Teflon	Teflon
Max. Temp.	178°F	212°F	178°F	212°F	178°F
Max. Press.	230 PSIG	580 PSIG	230 PSIG	580 PSIG	230 PSIG

Flow Range GPM Water	Material Combination & Flow Ranges					Fitting (NPT)					Output
	DRG-11...	DRG-12...	DRG-14...	DRG-15...	DRG-18...	1/8"	1/4"	1/2"	3/4"	1"	
0.15-3	...50	...50	...50	...50	...50	N1	-	-	-	-	F300= Frequency Micro-DC Plug
0.15-6.6	...55	...55	...55	...55	...55	-	N2	-	-	-	
0.3-8	...60	...60	...60	...60	...60	-	N2	N4	-	-	L342= 4-20 mA, 2-wire, Micro-DC Plug
0.6-12	...65	...65	...65	...65	...65	-	-	N4	N5	N6	L343= 4-20 mA, 3-wire, Micro-DC Plug
0.8-23	...70	...70	...70	...70	...70	-	-	N4	N5	N6	L442= 4-20 mA, 2-wire DIN 43650 Plug
1.5-37	...75	...75	...75	...75	...75	-	-	-	N5	N6	
3-37	...80	...80	...80	...80	...80	-	-	-	N5	N6	C34P= Compact Electronics, 4-20mA +1 PNP Switch
Accessories											C30R= Compact Elec. 2 PNP Switches
Part Number 807.037 - Mating 4-pin Micro-DC plug with 6 ft. cable for output F300, L342, L343 & Z340 807.007 - Mating 5-pin Micro-DC plug with 6ft. cable for output C34P & C30R											
											Z340= Analog Indicator + 4-20mA, 3-wire

DRG - Paddle Flow Sensor

↔ Dimensions

DRG Frequency and 4-20 mA



DRG w/ Compact Electronics

