

flow-captor



flow-captor Type 4114.30, 4115.30

The flow-captor type 4114.30 / 4115.30 is a flow meter for industrial applications which can be installed virtually non-intrusively into any pipe, allowing flow-sensing without obstruction of the pipe diameter. As the housing and sensor surface is of stainless steel (WN 1.4305) this small, compact flow-captor is very resistant to aggressive media.

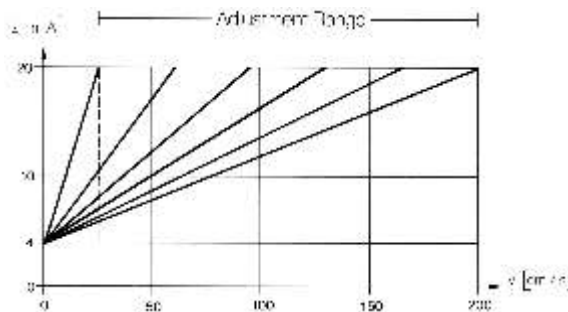
flow-captor type 4114.30 / 4115.30 operates accordingly to a new calorimetric principle, providing a wide measuring range.

The measurement accuracy at low flow rates is considerably better than all other contending measurement technologies. Because of the very short integration time, even at low flow, this analog flow-captor is ideally suited for quick control loops.

Completely epoxy resin encapsulated, this flow-captor is a compact, rugged, shock and vibration resistant flow sensor with proven reliability and long-term stability, even under the harshest environmental conditions.

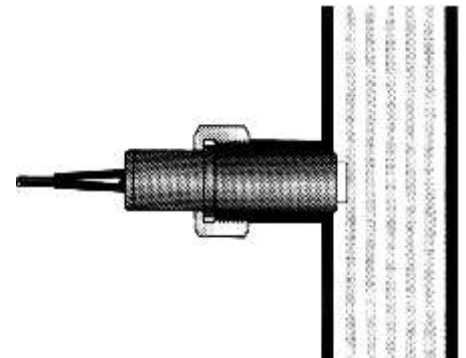
Self-contained flow meter for all measurement and control applications, wide measurement range, non-intrusive sensing, linear current output, for liquids and semi-solids, no moving parts, stainless steel sensing surface.

Parameter = Potentiometer-setting
Output current related to flow speed at various potentiometer settings.



Sensing-Data

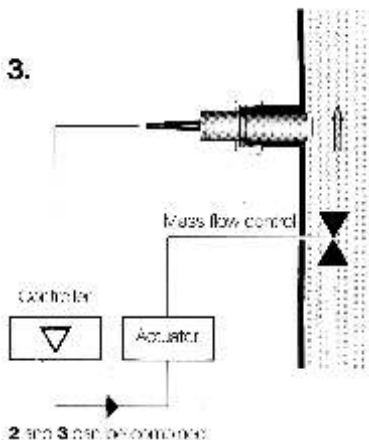
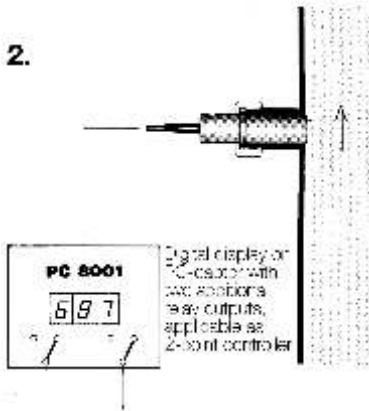
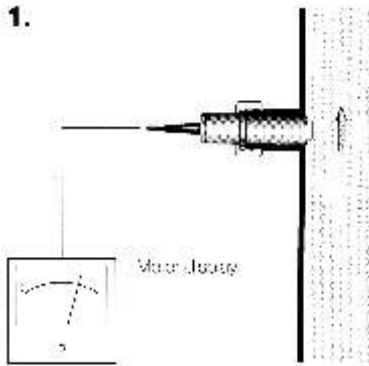
Media	liquids, pastes, semi-solids (corrosive media - consult supplier)
Measuring range	continually adjustable from min. 0 - 20 cm/s to max. 0 - 200 cm/s (related to water; extended range with other media)
Accuracy	< 3 %
Repeatability	< 1 %
Temperature drift	< 0.3 %/K



flow-captor

Type 4114.30, 4115.30
Compact flow meter

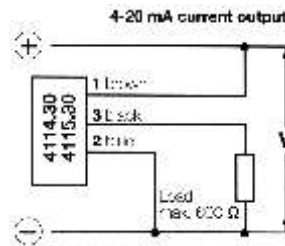
Application Examples:



Electrical Data

Voltage supply	24V DC $\pm 10\%$
Current consumption	approx. 1 00 - 200 mA (max. flow)
Output current	4 to 20 mA
Resistive load	0 to 600 Ohm
Measurement range adjustment: The two potentiometers at rear end of housing allow zero balancing and adjustment of the measuring range by means of a small screwdriver. A color changing LED signalizes flow within the adjusted measuring range (green) or above (red).	

Connection Diagram:

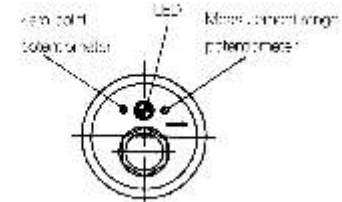
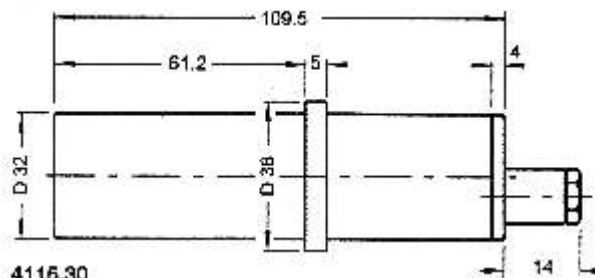


Mechanical Data

Type	4114.30	4115.30
Material	stainless steel WN 1 .4305 (V2A), optional 1 .4571 (V4A)	
Sensorhead and Housing	stainless steel WN 1 .4305 (V2A), optional 1 .4571 (V4A)	
Sensorhead sealing	FP (Won)	
Operating pressure	max. 30 bar (435 PSI)	
Medium temperature range	-10 °C to +80 °C (14 °F to 176 °F)	
Ambient temperature range	-10 °C to +60 °C (14 °F to 140 °F)	
Union nut	G 1 1/4 A SW50 mm DIN 259 ISO 228	G 1 A SW37 mm DIN 259 ISO 228
Electrical connection	2 m moulded oilflex cable	
Protection standard	IP 65 / DIN 400 50	
Weight	stainless steel approx. 380 g	stainless steel approx. 160 g

Dimensions in mm

4114.30



4115.30

